

ECS PROXIMITY CARDS AND TAGS



ECS Prox CS-10

- Standard “Clamshell” Style Proximity Badge
- Credit Card Sized with Beveled Edges
- Pre-Punched in Portrait Orientation
- Accepts “Photo-Flap” and Self Adhesive
- Badge Overlays



ECS Prox GR-10

- Graphics Quality Proximity Card
- ISO Compliant Thickness for Badging
- Graphics Quality, Both Sides, Standard!
- Portrait or Landscape Punch Capability
- No Diminished Read Range
- Available with Magnetic Stripe (GRMAG)



ECS Prox KT-10

- Key Tag Designed to Fit on Key Ring/Chain
- Stylish, Tear Drop Design
- Achieves 75% Read Range of Cards
- ABS Construction for High Endurance

- **Technology:** Passive proximity @ 125 kHz
- **Security:** ECS Proximity Cards/Tags can be programmed with up to 72,058 trillion unique codes
- **Long Life:** No direct contact, no battery, capable of an infinite number of reads to assure years of maintenance free operation
- **Custom Formats:** Field Programmable Wiegand format up to 56 user definable bits insures security, compatibility and minimal lead times
- **Warranty:** ECS Proximity Cards and Tags are Warranted for Life against defects in material and workmanship

ACCESS
CONTROLS
INTERNATIONAL

ECS Proximity Cards and Tags

Read Ranges:

SR-2400 CS = 4 - 5½" (10.2 - 14.0 cm)
 GR = 4 - 5½"
 KT = 3 - 4" (7.6 - 10.2 cm)

SP-6820 CS = 6 - 8" (15.2 - 20.3 cm)
 GR = 6 - 8"
 KT = 5 - 6" (12.7 - 15.2 cm)

MM-6800 CS = 6 - 8" (15.2 - 20.3 cm)
 GR = 6 - 8"
 KT = 5 - 6" (12.7 - 15.2 cm)

MR-1824 CS = 18 - 24" (45.7 - 60.9 cm)
 GR = 18 - 24"
 KT = 14 - 19" (35.6 - 48.3 cm)

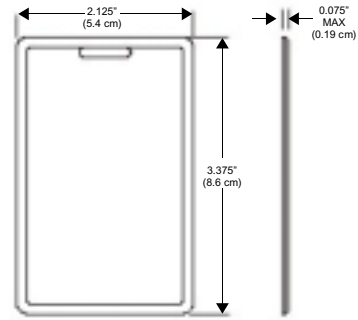
Frequency: 125 kHz - Passive

Operating Temperatures:
 -31° to 150° F (-35° to 65° C)

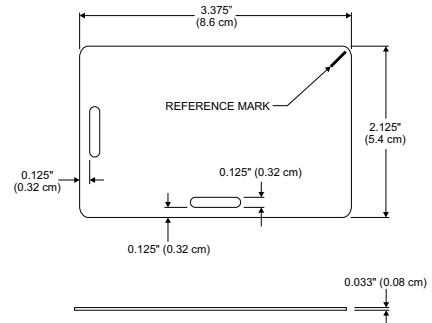
Operating Humidity:
 0 - 95% non-condensing

Weight: CS = .30 oz (8.5g)
 GR = .23 oz (6.5g)
 KT = .25 oz (7.0g)

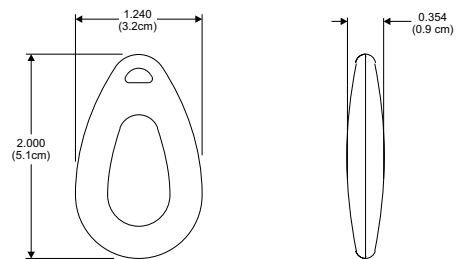
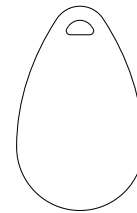
Color: CS = Off White
 GR = White, Fine Matte Finish
 KT = Dark Gray



ECS PROX CS-10 Dimensions
 3.375" x 2.125" x .075" (8.57 x 5.4 x .19 cm)



ECS PROX GR-10 Dimensions
 3.375" x 2.125" x .033" (8.57 x 5.4 x .08 cm)



ECS PROX KT-10 Dimensions
 2.0" x 1.24" x .35" (5.08 x 3.15 x .89 cm)

Warranty:
 Lifetime warranty against defects in material and workmanship when installed as instructed and used as intended.

Disclaimer:
 Specifications subject to change without notice. Access Controls International reserves the right to make changes to improve performance without impacting form, fit or function.

ACCESS
CONTROLS
 INTERNATIONAL
www.acisecurity.com

303 West Main Street • Freehold • NJ • 07728 • Tel. (888) 810-6060 • Fax. (732) 462-0511

Your Source for a Full Spectrum of Access Control Systems and Accessories