

# MR-10

## Magnetic Stripe Reader



- Rugged Metal Case
- Outdoor All-Weather Operation
- -40 °C to +75 °C Operation
- Standard Card Data Signaling
- Bi-color LED and Buzzer
- Static Discharge Protection
- 2 Year Limited Warranty

The MR-10 is built to provide years of reliable service in the most demanding access control applications by incorporating a high-quality card reader in a tough metal housing. The MR-10 connects to all ECS access control panels as well as other control panels that accept wiegand signals.

### **CARD READER**

The reader accepts low or high-coercivity magnetic stripe cards with standard track 2 encoding. Track 1 and track 3 versions are also available.

### **ANNUNCIATORS**

A red/green bi-color LED and a beeper are standard. The LEDs may be operated in one-wire or two-wire mode.

### **PANEL INTERFACE**

Card data is sent using common clock/data or wiegand pulses. The LED and the buzzer are controlled using standard TTL voltage levels. All signal lines are protected from Electrostatic Discharge (ESD). The nominal distance between the MR-10 and the controller is 500 feet.

### **HOUSING**

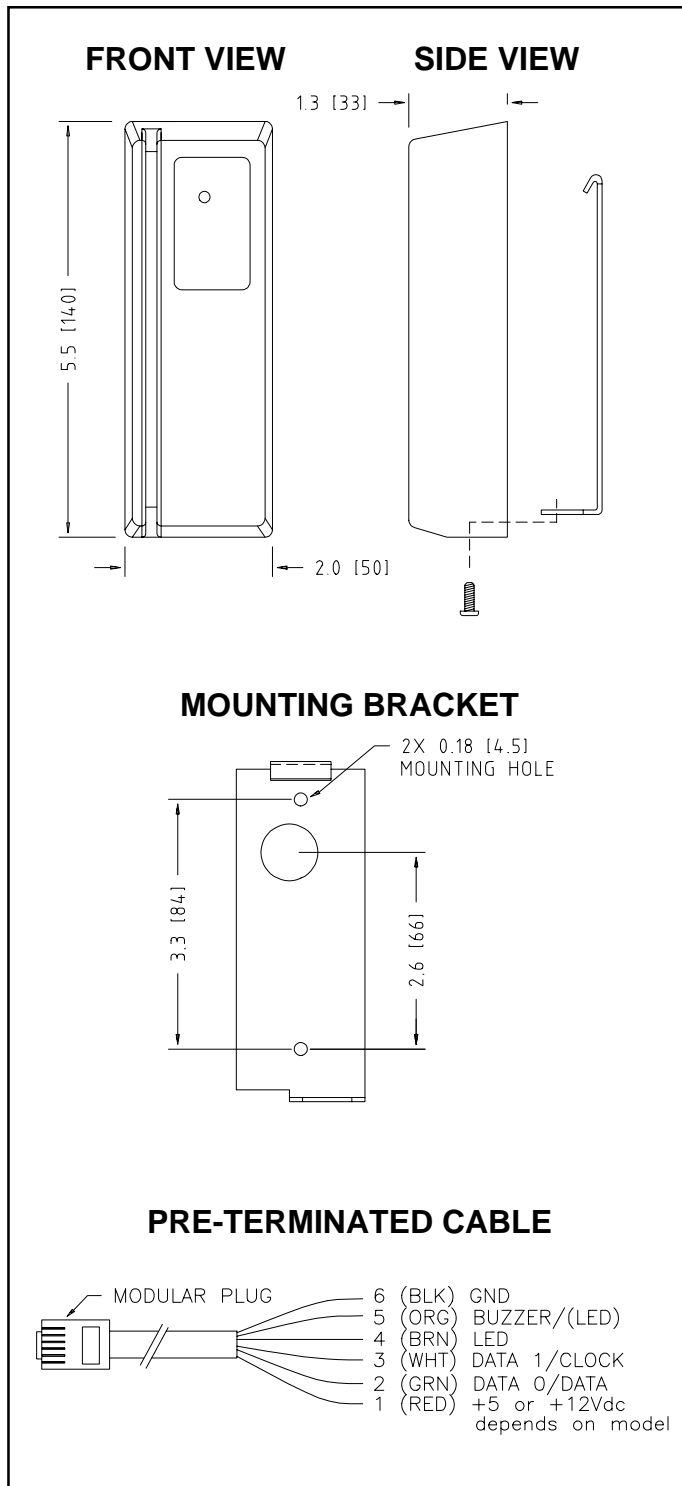
The die cast metal housing is first treated with an anti-corrosion film and then coated with a tough, abrasion resistant finish. The reader is mounted with all stainless steel hardware.

### **ENVIRONMENTAL**

MR-10 is rated for operation from -40 °C to +75 °C and is suitable for both indoor and for outdoor use.

# MR-10

## Magnetic Stripe Reader



### CARD

Encoding: 75 BPI, Aiken Biphase (2F2)

Read Speed: 3 to 50 inches per second

### MECHANICAL

Case: aluminum alloy

Finish: warm gray, textured powder coat

Size: 1.95"W x 1.30"H x 5.50"L  
[50mm x 33mm x 140mm]

Weight: 10 oz [285g], nominal

Mounting: One security screw

Connection: 6 conductor cable w. connector

### ELECTRICAL

Voltage: +5 Vdc or +12 Vdc

Current: 20 milliamperes typical

Data Output: data 1/data 0 (Wiegand pulses),  
or clock and data (magnetic)

### ANNUNCIATORS

One bi-color LED: red/green

Buzzer

### ENVIRONMENTAL

Operating Temperature: -40°C to +75°C

Humidity: 100%



[www.acisecurity.com](http://www.acisecurity.com)

303 West Main Street \* Freehold \* NJ \* 07728 \* Tel. (888) 810-6060 \* Fax. (732) 462-0511

**Your Source for a Full Spectrum of Access Control Systems and Accessories**