

# PR-MM-6800

## ECS Proximity Reader



**ECS PR-MM-6800**



Our standard Mullion Mount (MM-6800) reader gives you the read range of other “mid-range” readers at the cost of a “Mini”. It is designed to be mounted directly on a metal door frame/mullion and it is metal compensated so there is minimal reduction in read range. The range of the MM-6800 is 6-8 inches and it is designed for both indoor and outdoor applications.

The ECS PR-MM-6800 reader electronics are potted in UL-approved compound that makes it impervious to the elements. It is manufactured in an ISO 9000 certified facility providing for the highest quality standard. It is highly reliable, warranted for life, and comes in dark gray (standard) and beige colors. The high tech styling of this reader, combined with its superior range will leave you the user or your customers completely satisfied.

The MM-6800 reader is easily configured to meet the needs of virtually all Access Control Systems. The MM-6800 reader can output both Wiegand™ and RS-232 data and features LED and annunciator feedback.

- **Superior Read range of 6-8 inches**
- **Electronics potted with epoxy compound for weather resistance**
- **LED for visual feedback, Piezo for audio feedback**
- **Industry standard Wiegand and RS-232 output**
- **Compact Modular Design for Metal Frame (mullion) Mounting**
- **UL 294 Listed**



# ECS MM-6800 Proximity Reader

**Read Range:**

6-8" (15.2 - 20.3 cm)

**Transmitting Frequency:**

125 kHz

**Voltage:**

5-12 VDC

**Current Requirement:**

50 – 80 mA

**Audio Alarm:**

4 kHz burst

**Output Format:**

Wiegand™ and RS-232

**Operating Temperatures:**

-31° to 150° F (-35° to 65° C)

**Operating Humidity:**

0-95% non-condensing

**Weight:**

6 oz. (170g)

**Color:**

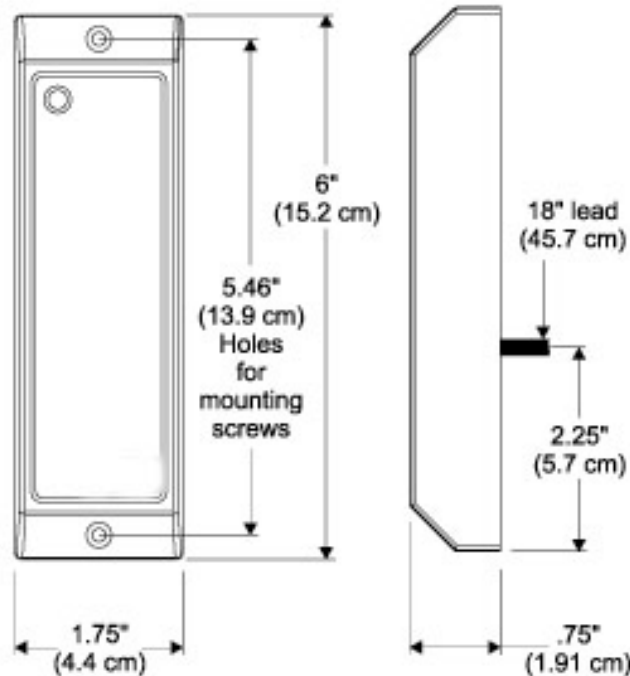
Dark Gray (standard) & Beige

**Cable:**

9 conductor stranded with continuous shield for typical installations

**Certifications:**

Complies with FCC Part 15 and UL 294 listed, CE pending



Warranty:  
Lifetime warranty against defects in material and workmanship when installed as instructed and used as intended.

Disclaimer:  
Specifications subject to change without notice. Access Controls International reserves the right to make changes to improve performance without impacting form, fit or function.



[www.acisecurity.com](http://www.acisecurity.com)

303 West Main Street • Freehold • NJ • 07728 • Tel. (888) 810-6060 • Fax. (732) 462-0511

**Your Source for a Full Spectrum of Access Control Systems and Accessories**